

# Infinity XE 60 Series Membrane Nitrogen Generator

Application: LC-MS ELSD Sample Evaporators NMR FT/MS

Part number: 3303147 (6010), 3303148 (6020), 3303149 (6030), 3303150 (6040)



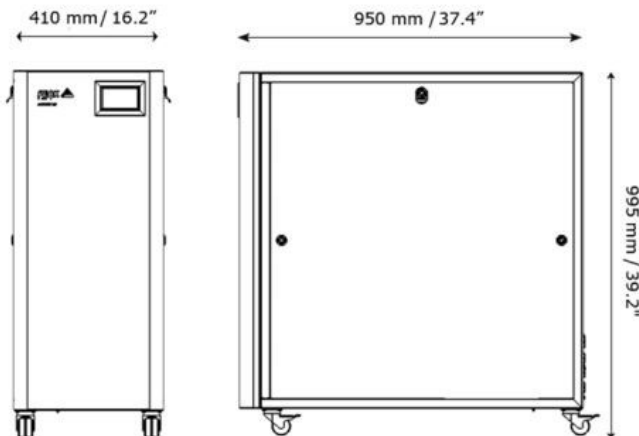
## Description

Producing between 10 and 520 L/min of high purity nitrogen gas, the Infinity XE 60 series nitrogen membrane gas generators can comfortably supply multiple laboratory instruments with instrument grade nitrogen.

Offering labs a cost-effective alternative to cylinders in a compact, space saving nitrogen solution, the Infinity XE 60's Intelligent Membrane Management (IMM) uniquely optimizes air consumption depending on set purity, inlet pressure/flow and nitrogen demand. With variable N2 purities (95- 99.5%), XE 60 can meet the demands of numerous applications such as ELSD, NMR, FT/MS, Sample Evaporators, as well as LC-MS and should your lab demands grow over time, Infinity XE 60 can have its nitrogen output increased on-site up to a maximum of 520 L/min all within the same original footprint.

To operate, the Infinity series of generators require an external source of compressed air, which meets a minimum quality grade of ISO 8573-1:2010 Class 1.4.1. Where required, Peak can provide assistance on external compressors & pre/post filtration as part of delivering a complete solution for your needs.

- **Gas types** Nitrogen, Air
- **Integrated compressor:** No
- **Application Types:** LC-MS ELSD Sample Evaporators NMR FT/MS



## Key Features

- Flow rates ranging from 10-520 L/min\*
- N2 purity up to 99.5%
- Versatile solution with varying Nitrogen flow, pressure & purity capabilities
- In-field expansion of nitrogen capacity to meet growing lab demands
- Optional second outlet for Dry Air
- Intelligent Membrane Management (IMM) optimizes compressed air requirement based on gas consumption
- IMM reduces overall compressor run time and energy consumption, reducing carbon footprint
- Fully comprehensive 2-Year Warranty\*\*

\* *Dependent on inlet pressure, inlet/outlet flow & Nitrogen purity setting*

\*\* *subject to meeting 2 year warranty conditions*  
[www.peakscientific.com/warranty-statement/](http://www.peakscientific.com/warranty-statement/)

## Technical Specifications

Infinity XE 60 Series Membrane Nitrogen Generator	
Gas Type	Nitrogen
Max Gas Flow:	520*L/min
Max Output Pressure:	135 Psi (Depending on Inlet Pressure)
Gas Type	Air
Max Gas Flow:	210L/min
Max Output Pressure:	Up to 135 Psi (depending on inlet supply)
Max Output Pressure:	135 Psi (Depending on Inlet Pressure)
Max Purity:	up to 99.5%
Min Inlet Pressure:	60psi/4.1bar
Max Inlet Pressure:	145psi/10bar
Min Air Inlet Flow:	Dependent on required flow and purity**
Min Inlet Air Quality:	ISO 8573-1:2010 Class [1.4.1]
Power Consumption:	0.1 kW
Voltage:	100 - 230 VAC +/- 10%
Frequency:	50 / 60 Hz
Current:	0.5A @ 110V / 0.25A @ 230V
Max Operating Temp:	30°C / 86°F
Particles:	<0.01µm
Accreditations:	CE, CSA
Size (HxWxD) mm	995 x 410 x 950 mm
Size (HxWxD) Inches	39.2 x 16.1 x 37.4 inches

\* Dependent on inlet pressure, inlet/outlet flow and Inlet Air Quality \*\* For Infinity XE users with the Dry Air option, please allow for an additional compressed air requirement of 262L/min to support the Dry Air output.

## [PEAK Protected]<sup>TM</sup>

Peak Scientific gas generators define the benchmark in reliability, convenience and performance in laboratories around the world, and come backed with a 12 month warranty. Beyond this period however you can ensure that your investment continues to be **[Protected]** by our comprehensive generator care cover.

Our world-class aftercare support packages deliver a program of scheduled preventative maintenance whilst giving you the reassurance of instant access to worldwide technical support and priority on-site response in the untimely event of a breakdown.

- For ordering parts visit: [www.peakscientific.com/ordering/](http://www.peakscientific.com/ordering/)
- For service plans visit: [www.peakscientific.com/service/service-plans/](http://www.peakscientific.com/service/service-plans/)

**Peak Scientific UK**  
Tel: +44 (0)141 812 8100  
Fax: +44 (0)141 812 8200

**Peak Scientific North America**  
Tel: +1-800-767-6532  
Fax: +1-978-608-9503

**Peak Scientific China**  
Tel: +86 21 5079 1190  
Fax: +86 21 5079 1191  
For a full list of our worldwide office locations, please visit:  
Web: [www.peakscientific.com](http://www.peakscientific.com)  
Email: [discover@peakscientific.com](mailto:discover@peakscientific.com)

Peak Scientific's Quality Management System conforms to: ISO:9001



0003