

# Genius N418LA

Nitrogen Generator

Part number: 10-1017



## Description

Designed to function to the requirements of the Thermo Scientific detectors delivering a maximum of 18 L/min laboratory grade nitrogen for LC-MS.



## Application Types

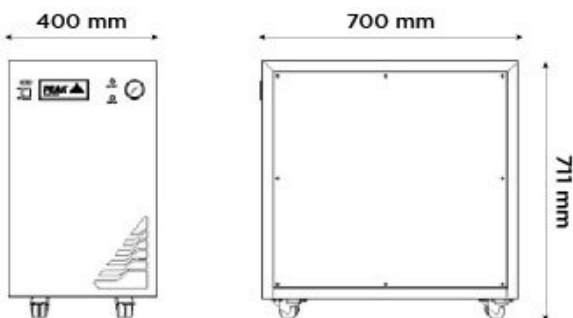
Nitrogen generator specifically for Thermo / Dionex MSQ+

## Generator Details

- **Gas types:** Nitrogen
- **Integrated compressor:** Yes

## Key Features

- Delivers safe and practical laboratory-grade nitrogen at up to 18 L/min
- Compressor based solution, no need for an external air supply
- Service indication to allow planning of preventative maintenance
- High-specification latest generation compressors located in insulated chamber reducing noise and vibration
- Minimal set-up required
- Highly economical source of nitrogen gas with low lifetime running costs
- Gas is supplied on demand so generator works to your schedule
- Proven robust and reliable nitrogen gas generation technology
- 12 month comprehensive on-site warranty



## Technical Specifications

### Genius N418LA Nitrogen Generator

Gas Type	Nitrogen
Max Gas Flow:	18L/min
Max Output Pressure:	100psi/6.9bar
Max Output Pressure:	100psi/6.9bar
Start Up Time:	30 mins
Power Consumption:	828 VA
Voltage:	230 ± 10% VAC
Frequency:	50 / 60 Hz
Current:	3.6 A
Heat output:	2823 BTU
Max Operating Temp:	25°C / 77°F
Particles:	<0.01µm
Accreditations:	CSA, FCC, CE
Size (HxWxD) mm	711 x 400 x 700 mm
Size (HxWxD) Inches	28 x 15.7 x 27.6 inches
Generator Weight	60kg / 132lbs

## [PEAK Protected]<sup>TM</sup>

Peak Scientific gas generators define the benchmark in reliability, convenience and performance in laboratories around the world, and come backed with a 12 month warranty. Beyond this period however you can ensure that your investment continues to be **[Protected]** by our comprehensive generator care cover.

Our world-class aftercare support packages deliver a program of scheduled preventative maintenance whilst giving you the reassurance of instant access to worldwide technical support and priority on-site response in the untimely event of a breakdown.

- For ordering parts visit: [www.peakscientific.com/ordering/](http://www.peakscientific.com/ordering/)
- For service plans visit: [www.peakscientific.com/service/service-plans/](http://www.peakscientific.com/service/service-plans/)

**Peak Scientific UK**  
Tel: +44 (0)141 812 8100  
Fax: +44 (0)141 812 8200

**Peak Scientific North America**  
Tel: +1-800-767-6532  
Fax: +1-978-608-9503

**Peak Scientific China**  
Tel: +86 21 5079 1190  
Fax: +86 21 5079 1191  
For a full list of our worldwide office locations, please visit:  
Web: [www.peakscientific.com](http://www.peakscientific.com)  
Email: [discover@peakscientific.com](mailto:discover@peakscientific.com)

Peak Scientific's Quality Management System conforms to: ISO:9001

