

Genius AB-3G Hi-flow Nitrogen Generators

Application: Selected SCIEX IVD instruments

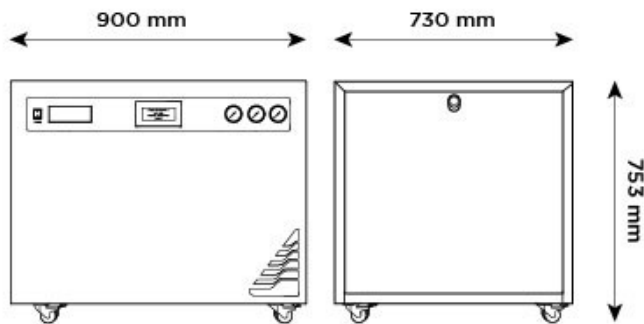
Part number: 10-8015



Description

The Genius AB-3G has been designed to provide a continuous and reliable gas supply to meet the precise requirements of several SCIEX LC-MS instruments. A three gas system, the AB-3G provides nitrogen and dry air to supply curtain, source and exhaust gas; additionally the generator benefits from three integrated compressors with redundancy, making it a complete standalone solution for mission-critical applications. The AB-3G is based on Peak Scientific's Genius Series of generators: designed mainly for LC-MS applications, are self-contained systems featuring integrated compressors, delivering laboratory-grade nitrogen at a range of pressures and flow rates to satisfy the requirements of a wide selection of instruments.

- **Gas types** Nitrogen, Air
- **Integrated compressor:** Yes
- **Application Types:** Selected SCIEX IVD instruments



Key Features

- Hi-Flow delivers curtain, source and exhaust gas for Sciex LC-MS
- Additional compressor capacity to ensure continuous operation in unlikely event of one compressor failure
- Engineered specifically for Sciex instruments
- Built to ensure uninterrupted supply of gas for clinical applications
- Advanced alarms in the unlikely event of product issues
- Generator has the capacity to self-diagnose to inform when maintenance is required
- Minimal set-up required
- Highly economical source of nitrogen gas with low lifetime running costs
- Gas is supplied on demand so generator works to your schedule
- Compressors are housed in an insulated compartment to reduce noise and vibration
- 12 month comprehensive on-site warranty

Technical Specifications

Genius AB-3G Hi-flow Nitrogen Generators	
Gas Type	Nitrogen
Max Gas Flow:	12L/min
Max Output Pressure:	80psi/5.5bar
Gas Type	Air
Max Gas Flow:	24L/min
Max Output Pressure:	110psi/7.6bar
Gas Type	Air
Max Gas Flow:	14L/min
Max Output Pressure:	60psi/4.1bar
Max Output Pressure:	80psi/5.5bar
Gas Outlets Fitting:	3x 1/4" BSPP
Start Up Time:	30 mins
Power Consumption:	2185 VA
Voltage:	230 ± 10% V
Frequency:	50 / 60 Hz
Current:	9.5 A
Heat output:	7451 BTU
Max Operating Temp:	30°C / 86°F
Particles:	<0.01 µm
Accreditations:	CSA, CE
Size (HxWxD) mm	753 x 900 x 730 mm
Size (HxWxD) Inches	29.6 x 35.4 x 28.7 inches
Generator Weight	145kg / 319lbs

[PEAK Protected]TM

Peak Scientific gas generators define the benchmark in reliability, convenience and performance in laboratories around the world, and come backed with a 12 month warranty. Beyond this period however you can ensure that your investment continues to be **[Protected]** by our comprehensive generator care cover.

Our world-class aftercare support packages deliver a program of scheduled preventative maintenance whilst giving you the reassurance of instant access to worldwide technical support and priority on-site response in the untimely event of a breakdown.

- For ordering parts visit: www.peakscientific.com/ordering/
- For service plans visit: www.peakscientific.com/service/service-plans/

Peak Scientific UK
Tel: +44 (0)141 812 8100
Fax: +44 (0)141 812 8200

Peak Scientific North America
Tel: +1-800-767-6532
Fax: +1-978-608-9503

Peak Scientific China
Tel: +86 21 5079 1190
Fax: +86 21 5079 1191
For a full list of our worldwide office locations, please visit:
Web: www.peakscientific.com
Email: discover@peakscientific.com

Peak Scientific's Quality Management System conforms to: ISO:9001



0003