

Genius NM-3G

Nitrogen Generator

Part number: 10-8030



Description

Engineered specifically for critical applications requiring maximum uptime, the NM-3G on-site nitrogen gas generation system is guaranteed to perform at all times. For such mission-critical applications, the NM-3G possesses a variety of extra precautionary features, including highly robust integrated compressors with additional load capacity, self-diagnostics and an alarm system to notify of any performance issue.



Application Types

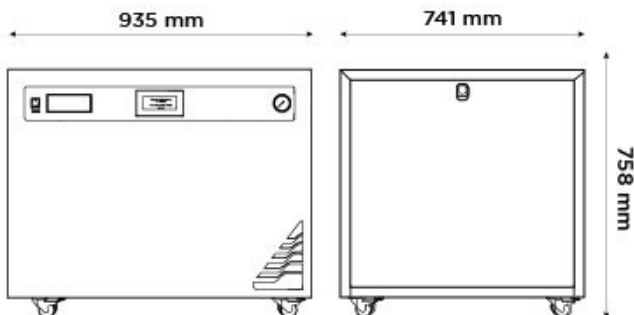
With fail-safe for mission critical clinical applications

Generator Details

- **Gas types:** Nitrogen
- **Integrated compressor:** Yes

Key Features

- Additional compressor capacity to ensure continuous operation in unlikely event of one compressor failure
- Built to ensure uninterrupted supply of gas for clinical applications
- Advanced alarms in the unlikely event of product issues
- Minimal set-up required
- Generator has the capacity to self-diagnose to inform when maintenance is required
- Highly economical source of nitrogen gas with low lifetime running costs
- Gas is supplied on demand so generator works to your schedule
- Compressors are housed in an insulated compartment to reduce noise and vibration
- 12 month comprehensive on-site warranty



Technical Specifications

Genius NM-3G nitrogen generation system

Gas Type	Nitrogen
Max Gas Flow:	32
Max Output Pressure:	100psi/6.9bar
Max Output Pressure:	100psi/6.9bar
Start Up Time:	30 mins
Power Consumption:	Up to 2185 VA
Voltage:	230 ± 10% V
Frequency:	50 / 60 Hz
Current:	9.5 A
Heat output:	7451 BTU
Max Operating Temp:	35°C / 95°F
Particles:	<0.01 µm
Accreditations:	CE, CSA, FCC
Size (HxWxD) mm	758 x 935 x 741 mm
Size (HxWxD) Inches	29.8 x 36.8 x 29.2 inches
Generator Weight	193kg / 424.6lbs

[PEAK Protected]TM

Peak Scientific gas generators define the benchmark in reliability, convenience and performance in laboratories around the world, and come backed with a 12 month warranty. Beyond this period however you can ensure that your investment continues to be **[Protected]** by our comprehensive generator care cover.

Our world-class aftercare support packages deliver a program of scheduled preventative maintenance whilst giving you the reassurance of instant access to worldwide technical support and priority on-site response in the untimely event of a breakdown.

- For ordering parts visit: www.peakscientific.com/ordering/
- For service plans visit: www.peakscientific.com/service/service-plans/

Peak Scientific UK
Tel: +44 (0)141 812 8100
Fax: +44 (0)141 812 8200

Peak Scientific North America
Tel: +1-800-767-6532
Fax: +1-978-608-9503

Peak Scientific China
Tel: +86 21 5079 1190
Fax: +86 21 5079 1191
For a full list of our worldwide office locations, please visit:
Web: www.peakscientific.com
Email: discover@peakscientific.com

Peak Scientific's Quality Management System conforms to: ISO:9001

