

Genius N118LA Nitrogen Generators

Application: LC-MS

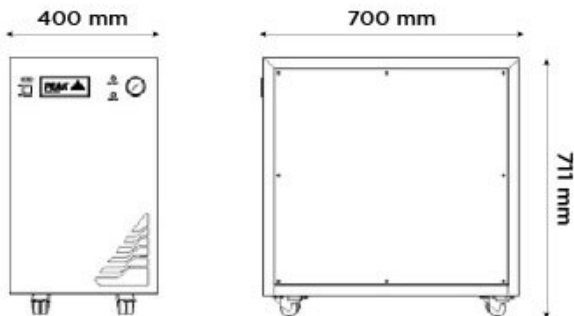
Part number: 10-1017



Description

The Genius N118LA is a nitrogen generator which can provide carrier gas for LC-MS applications requiring flow rates of up to 18 L/min.

- **Gas types** Nitrogen
- **Integrated compressor:** Yes
- **Application Types:** LC-MS



Key Features

- Delivers laboratory-grade nitrogen at up to 18 L/min
- Compressor based solution, no need for an external air supply
- Safe and practical laboratory-grade nitrogen
- Service indication to allow planning of preventative maintenance
- High-specification latest generation compressors located in insulated chamber reducing noise and vibration
- Minimal set-up required Highly economical source of nitrogen gas with low lifetime running costs Gas is supplied on demand so generator works to your schedule
- Proven robust and reliable nitrogen gas generation technology
- 12 month comprehensive on-site warranty

Technical Specifications

Genius N118LA Nitrogen Generators	
Gas Type	Nitrogen
Max Gas Flow:	18L/min
Max Output Pressure:	100psi/6.9bar
Max Output Pressure:	100psi/6.9bar
Start Up Time:	30 mins
Power Consumption:	828 VA
Voltage:	230 ± 10% V
Frequency:	50 / 60 Hz
Current:	3.6 A
Heat output:	2823 BTU
Particles:	<0.01 µm
Accreditations:	CSA, CE
Size (HxWxD) mm	711 x 400 x 700 mm
Size (HxWxD) Inches	28 x 15.7 x 27.6 inches
Generator Weight	60kg / 132lbs

[PEAK Protected]TM

Peak Scientific gas generators define the benchmark in reliability, convenience and performance in laboratories around the world, and come backed with a 12 month warranty. Beyond this period however you can ensure that your investment continues to be **[Protected]** by our comprehensive generator care cover.

Our world-class aftercare support packages deliver a program of scheduled preventative maintenance whilst giving you the reassurance of instant access to worldwide technical support and priority on-site response in the untimely event of a breakdown.

- For ordering parts visit: www.peakscientific.com/ordering/
- For service plans visit: www.peakscientific.com/service/service-plans/

Peak Scientific UK
Tel: +44 (0)141 812 8100
Fax: +44 (0)141 812 8200

Peak Scientific North America
Tel: +1-800-767-6532
Fax: +1-978-608-9503

Peak Scientific China
Tel: +86 21 5079 1190
Fax: +86 21 5079 1191
For a full list of our worldwide office locations, please visit:
Web: www.peakscientific.com
Email: discover@peakscientific.com

Peak Scientific's Quality Management System conforms to: ISO:9001



0003