

Genius 1024 LC-MS nitrogen generator

Application: Genius

Part number: 10-9524

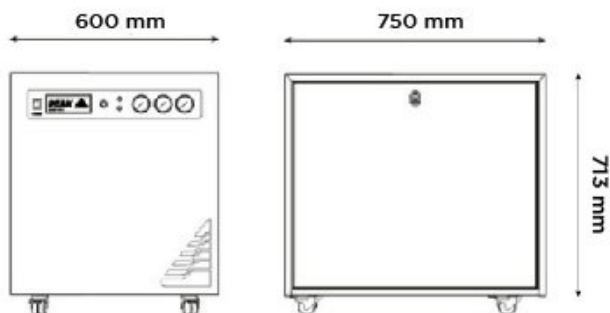


Description

Designed exclusively to meet the needs of SCIEX LC-MS systems and approved by SCIEX for use with all their RUO (Research Use Only) LC-MS systems, the Genius 1024 provides a compact single source gas solution for Sciex LC-MS instruments..

The Genius 1024 is built around the trusted and proven technology of Peak Scientific's Genius series of generators. Designed mainly for LC-MS applications, these are self-contained systems featuring integrated compressors, delivering laboratory-grade nitrogen at various pressures and flow rates required by numerous instruments.

- **Gas types** Nitrogen, Air
- **Integrated compressor:** Yes
- **Application Types:** Gas solution for Sciex Mass Spectrometers



Key Features

- Supports Sciex MS
- Delivers nitrogen as curtain gas and dry air as source and exhaust gas
- Compact, under bench solution with low lifetime running costs
- Compressor based solution, no need for an external air supply
- High-specification latest generation compressors located in insulated chamber reducing noise and vibration
- Service indication to allow planning of preventative maintenance
- Minimal set-up required
- 12 month comprehensive on-site warranty

Technical Specifications

Genius 1024 LC-MS nitrogen generator	
Gas Type	Nitrogen
Max Gas Flow:	19L/min
Max Output Pressure:	65psi/4.5bar
Gas Type	Air
Max Gas Flow:	26L/min
Max Output Pressure:	100psi/6.9bar
Gas Type	Air
Max Gas Flow:	25L/min
Max Output Pressure:	60psi/4.1bar
Max Output Pressure:	65psi/4.5bar
Gas Outlets Fitting:	3 x 1/4" BSPP
Start Up Time:	60 mins
Power Consumption:	1610 VA
Voltage:	230 ± 10% V
Frequency:	50 / 60 Hz
Current:	7 A
Heat output:	5,490 BTU/hr
Max Operating Temp:	30°C / 86°F
Particles:	<0.1µm
Accreditations:	CSA, FCC, CE
Size (HxWxD) mm	709 x 600 x 750 mm
Size (HxWxD) Inches	27.9 x 23.6 x 29.5 inches
Generator Weight	108.5kg / 238.7lbs

[PEAK Protected]TM

Peak Scientific gas generators define the benchmark in reliability, convenience and performance in laboratories around the world, and come backed with a 12 month warranty. Beyond this period however you can ensure that your investment continues to be **[Protected]** by our comprehensive generator care cover.

Our world-class aftercare support packages deliver a program of scheduled preventative maintenance whilst giving you the reassurance of instant access to worldwide technical support and priority on-site response in the untimely event of a breakdown.

- For ordering parts visit: www.peakscientific.com/ordering/
- For service plans visit: www.peakscientific.com/service/service-plans/

Peak Scientific UK
Tel: +44 (0)141 812 8100
Fax: +44 (0)141 812 8200

Peak Scientific North America
Tel: +1-800-767-6532
Fax: +1-978-608-9503

Peak Scientific China
Tel: +86 21 5079 1190
Fax: +86 21 5079 1191
For a full list of our worldwide office locations, please visit:
Web: www.peakscientific.com
Email: discover@peakscientific.com

Peak Scientific's Quality Management System conforms to: ISO:9001

