

Genius ABN2ZA Nitrogen Generators

Application: Suitable for selected SCIEX LC-MS instruments

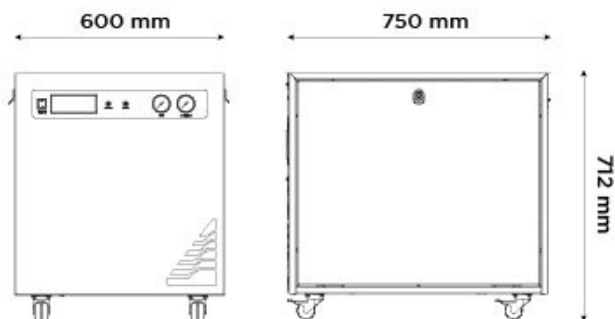
Part number: 10-6030



Description

Designed exclusively for SCIEX applications, the Genius ABN2ZA is a three gas output system providing nitrogen and dry air to supply curtain, source, and exhaust gas. This generator is compatible with a wide range of SCIEX LC-MS instruments up to and including the 4600 Triple TOF. The ABN2ZA is built around the trusted and proven technology of Peak Scientific's Genius Series of generators. Designed mainly for LC-MS applications, these are self-contained systems featuring integrated compressors, delivering laboratory-grade nitrogen at various pressures and flow rates required by numerous instruments.

- **Gas types** Nitrogen, Air
- **Integrated compressor:** Yes
- **Application Types:** Suitable for selected SCIEX LC-MS instruments



Key Features

- Delivers nitrogen as curtain gas and dry air as source and exhaust gas
- Developed specifically for SCIEX LC-MS instruments
- Compressor based solution, no need for an external air supply
- Service indication to allow planning of preventative maintenance
- Minimal set-up required Highly economical source of nitrogen gas with low lifetime running costs
- Gas is supplied on demand so works to your schedule
- High-specification latest generation compressors located in insulated chamber reducing noise and vibration
- 12 month comprehensive on-site warranty

Technical Specifications

	Genius ABN2ZA Nitrogen Generators
Gas Type	Nitrogen
Max Gas Flow:	12L/min
Max Output Pressure:	80psi/5.5bar
Gas Type	Air
Max Gas Flow:	24L/min
Max Output Pressure:	110psi/7.6bar
Gas Type	Air
Max Gas Flow:	8L/min
Max Output Pressure:	60psi/4.1bar
Max Output Pressure:	80psi/5.5bar
Voltage:	230 ± 10% VAC
Frequency:	50 / 60 Hz
Current:	7 Amps
Accreditations:	CSA, CE
Size (HxWxD) mm	713 x 600 x 750 mm
Size (HxWxD) Inches	28.1 x 23.6 x 29.5 inches
Generator Weight	108kg / 237.6lbs

[PEAK Protected]TM

Peak Scientific gas generators define the benchmark in reliability, convenience and performance in laboratories around the world, and come backed with a 12 month warranty. Beyond this period however you can ensure that your investment continues to be **[Protected]** by our comprehensive generator care cover.

Our world-class aftercare support packages deliver a program of scheduled preventative maintenance whilst giving you the reassurance of instant access to worldwide technical support and priority on-site response in the untimely event of a breakdown.

- For ordering parts visit: www.peakscientific.com/ordering/
- For service plans visit: www.peakscientific.com/service/service-plans/

Peak Scientific UK
Tel: +44 (0)141 812 8100
Fax: +44 (0)141 812 8200

Peak Scientific North America
Tel: +1-800-767-6532
Fax: +1-978-608-9503

Peak Scientific China
Tel: +86 21 5079 1190
Fax: +86 21 5079 1191
For a full list of our worldwide office locations, please visit:
Web: www.peakscientific.com
Email: discover@peakscientific.com

Peak Scientific's Quality Management System conforms to: ISO:9001



0003