

SCIEX Table 1N

Application: Suitable for all SCIEX LC-MS excluding X500 Series and MD

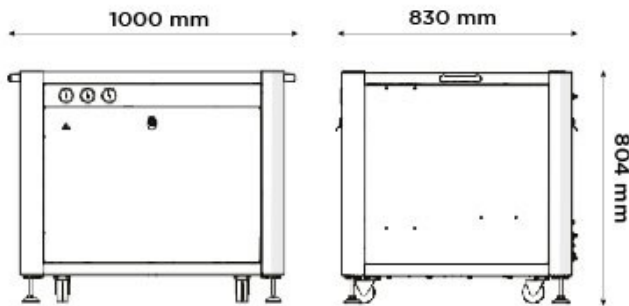
Part number: 10-9901



Description

The MS table has been designed as an SCIEX exclusive product to house the Triple Quad™, QTRAP™ or IVD MS systems. The MS table comes in a standard and premium form, the premium version including an inbuilt Infinity 1031, or 1031 Hi-flow for MD instruments, allowing the supply of curtain, source and exhaust gases. Furthermore, the MS Table also comes supplied with an accessible sound proof enclosure for the required vacuum pumps for these applications.

- **Gas types** Nitrogen, Air
- **Integrated compressor:** No
- **Application Types:** Suitable for all SCIEX LC-MS excluding X500 Series and MD



Key Features

- Table designed to hold SCIEX Mass Spectrometer
- Provides gas source for SCIEX instrument
- Reduced lab footprint
- Minimal set-up required
- Sound proofed reducing noise of roughing pumps

Technical Specifications

	SCIEX Table 1N
Gas Type	Nitrogen
Max Gas Flow:	19L/min
Max Output Pressure:	65psi/4.5bar
Gas Type	Air
Max Gas Flow:	26L/min
Max Output Pressure:	110psi/7.6bar
Gas Type	Air
Max Gas Flow:	25L/min
Max Output Pressure:	60psi/4.1bar
Max Output Pressure:	65psi/4.5bar
Min Inlet Pressure:	120 psi
Max Inlet Pressure:	145 psi
Min Air Inlet Flow:	115 L/min
Min Inlet Air Quality:	1.4.1
Start Up Time:	30 mins
Power Consumption:	240 VA
Voltage:	110-240 V
Frequency:	50/60 Hz
Current:	1 A
Heat output:	818 BTU
Max Operating Temp:	30°C / 86°F
Particles:	<0.01µm
Size (HxWxD) mm	804 x 1000 x 830 mm
Size (HxWxD) Inches	31.7 x 39.4 x 32.7 inches
Generator Weight	104kg / 228.8lbs

[PEAK Protected]™

Peak Scientific gas generators define the benchmark in reliability, convenience and performance in laboratories around the world, and come backed with a 12 month warranty. Beyond this period however you can ensure that your investment continues to be **[Protected]** by our comprehensive generator care cover.

Our world-class aftercare support packages deliver a program of scheduled preventative maintenance whilst giving you the reassurance of instant access to worldwide technical support and priority on-site response in the untimely event of a breakdown.

- For ordering parts visit: www.peakscientific.com/ordering/
- For service plans visit: www.peakscientific.com/service/service-plans/

Peak Scientific UK
Tel: +44 (0)141 812 8100
Fax: +44 (0)141 812 8200

Peak Scientific North America
Tel: +1-800-767-6532
Fax: +1-978-608-9503

Peak Scientific China
Tel: +86 21 5079 1190
Fax: +86 21 5079 1191
For a full list of our worldwide office locations, please visit:
Web: www.peakscientific.com
Email: discover@peakscientific.com

Peak Scientific's Quality Management System conforms to: ISO:9001



0003