

## Genius 1022 Nitrogen Generator

Application: Q Exactive LC-MS/MS

Part number: 10-6022

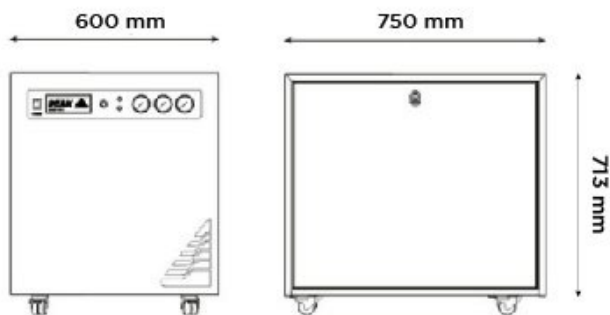


### Description

Designed for Thermo Fisher Scientific LC-MS/MS applications, Genius 1022 provides a compact single source gas solution for the Q-Exactive series of LC-MS/MS instruments, delivering 32 Litres per minute of laboratory-grade nitrogen at 116psi. Genius 1022 is built around the trusted and proven technology of Peak Scientific's Genius series of generators.

Designed mainly for LC-MS/MS applications, these are self-contained systems featuring integrated compressors, delivering laboratory-grade nitrogen at various pressures and flow rates required by numerous instruments.

- **Gas types:** Nitrogen
- **Integrated compressor:** Yes
- **Application Types:** Q Exactive LC-MS/MS



### Key Features

- Delivers up to 32L/min of nitrogen at 116psi
- Compressor based solution, no need for an external air supply
- Minimal set-up required. Highly economical source of nitrogen gas with low lifetime running costs
- High-specification latest generation compressors located in insulated chamber, reducing noise and vibration
- Service indication to allow planning of preventative maintenance
- Gas is supplied on demand so generator works to your schedule
- 12 month comprehensive on-site warranty

## Technical Specifications

	Genius 1022 Nitrogen Generator
Gas Type	Nitrogen
Max Gas Flow:	32L/min
Max Output Pressure:	116psi/8bar
Max Output Pressure:	116psi/8bar
Gas Outlets Fitting:	1x 1/4" BSPP
Start Up Time:	30 mins
Power Consumption:	Up to 1680 VA
Voltage:	230 ± 10% V
Frequency:	50 / 60 Hz
Current:	7 A
Heat output:	5729 BTU
Max Operating Temp:	35°C / 95°F
Particles:	<0.01µm
Accreditations:	CSA, FCC, CE
Size (HxWxD) mm	713 x 600 x 750 mm
Size (HxWxD) Inches	28.1 x 23.6 x 29.5 inches
Generator Weight	95kg / 209lbs

## [PEAK Protected]<sup>TM</sup>

Peak Scientific gas generators define the benchmark in reliability, convenience and performance in laboratories around the world, and come backed with a 12 month warranty. Beyond this period however you can ensure that your investment continues to be **[Protected]** by our comprehensive generator care cover.

Our world-class aftercare support packages deliver a program of scheduled preventative maintenance whilst giving you the reassurance of instant access to worldwide technical support and priority on-site response in the untimely event of a breakdown.

- For ordering parts visit: [www.peakscientific.com/ordering/](http://www.peakscientific.com/ordering/)
- For service plans visit: [www.peakscientific.com/service/service-plans/](http://www.peakscientific.com/service/service-plans/)

**Peak Scientific UK**  
Tel: +44 (0)141 812 8100  
Fax: +44 (0)141 812 8200

**Peak Scientific North America**  
Tel: +1-800-767-6532  
Fax: +1-978-608-9503

**Peak Scientific China**  
Tel: +86 21 5079 1190  
Fax: +86 21 5079 1191  
For a full list of our worldwide office locations, please visit:  
Web: [www.peakscientific.com](http://www.peakscientific.com)  
Email: [discover@peakscientific.com](mailto:discover@peakscientific.com)

Peak Scientific's Quality Management System conforms to: ISO:9001



0003