

Fusion 1010 Nitrogen Generator

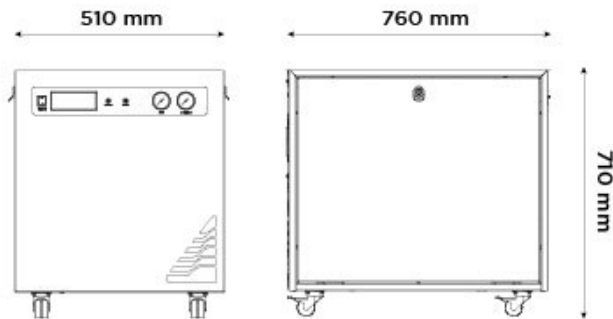
Part number: 10-9240



Description

The Fusion 1010 dual gas generator was developed to deliver high purity zero nitrogen and zero air, for GC carrier & detector gas. The Fusion 1010 also comes with a rapid restart function allowing the unit to be operational shortly after a power cut, or if power is removed from the unit. Ideal for laboratories in locations where a steady power supply cannot be guaranteed.

- **Gas types** Nitrogen
- **Integrated compressor:** Yes



Key Features

- Catalyst chamber removes hydrocarbons (as methane) to <0.1 ppm
- Zero air and zero nitrogen improve stability of baseline
- Delivers two separate outputs of zero nitrogen and zero air
- Rapid restart function allows for immediate supply of gas after a power cut Internal air compressor removes the need for an external source of air
- Compact size means the generator can fit under a standard lab bench
- Noise level lower than most standard laboratory instruments 12 month comprehensive on-site warranty

Technical Specifications

Fusion 1010 Nitrogen Generator	
Gas Type	Nitrogen
Max Gas Flow:	600cc/min
Max Output Pressure:	80psi/5.5bar
Gas Type	Air
Max Gas Flow:	1500cc/min
Max Output Pressure:	80psi/5.5bar
Start Up Time:	3 hours
Voltage:	230 ± 10% VAC
Frequency:	50 / 60 Hz
Current:	5 Amps
Size (HxWxD) mm	510 x 760 x 710 mm
Size (HxWxD) Inches	20.1 x 29.9 x 28 inches

[PEAK Protected]TM

Peak Scientific gas generators define the benchmark in reliability, convenience and performance in laboratories around the world, and come backed with a 12 month warranty. Beyond this period however you can ensure that your investment continues to be **[Protected]** by our comprehensive generator care cover.

Our world-class aftercare support packages deliver a program of scheduled preventative maintenance whilst giving you the reassurance of instant access to worldwide technical support and priority on-site response in the untimely event of a breakdown.

- For ordering parts visit: www.peakscientific.com/ordering/
- For service plans visit: www.peakscientific.com/service/service-plans/

Peak Scientific UK
Tel: +44 (0)141 812 8100
Fax: +44 (0)141 812 8200

Peak Scientific North America
Tel: +1-800-767-6532
Fax: +1-978-608-9503

Peak Scientific China
Tel: +86 21 5079 1190
Fax: +86 21 5079 1191
For a full list of our worldwide office locations, please visit:
Web: www.peakscientific.com
Email: discover@peakscientific.com

Peak Scientific's Quality Management System conforms to: ISO:9001



0003