

Infinity 1051

Nitrogen Generator

Part number: 13-1282



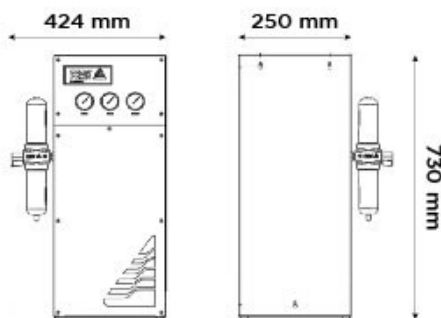
Description

Designed and engineered as an on-site, compressorless nitrogen generation solution tailored for the Shimadzu LCMS-8045, 8050 or 8060, the Infinity 1051 delivers one output of nitrogen and another of dry air to laboratories who already have an existing air supply.



Application Types

LCMS-8045/ 8050/ 8060 instruments



Generator Details

- **Gas types:** Nitrogen
- **Integrated compressor:** No

Key Features

- Both a nitrogen and dry air output suitable for the Shimadzu LCMS-8045/50/60 and instruments requiring similar specifications
- 24/7 operation at optimum performance if required
- Gas is supplied on demand so generator works to your schedule
- Few moving parts means little maintenance required and ensures long life of the generator
- Minimal set-up required
- Completely silent in operation
- 12 month comprehensive on-site warranty

Technical Specifications

Infinity 1051 Nitrogen Generator	
Gas Type	Nitrogen
Max Gas Flow:	25
Max Output Pressure:	100psi/6.9bar
Gas Type	Air
Max Gas Flow:	25L/min
Max Output Pressure:	110psi/7.6bar
Max Output Pressure:	100psi/6.9bar
Min Inlet Pressure:	120psi/8.3bar
Max Inlet Pressure:	145psi/10bar
Min Air Inlet Flow:	110
Min Inlet Air Quality:	ISO8573 - 1:2010 Class 1.4.1
Start Up Time:	60 mins
Voltage:	N/A
Frequency:	N/A
Current:	N/A
Max Operating Temp:	30°C / 86°F
Particles:	<0.01 µm
Accreditations:	CE
Size (HxWxD) mm	730 x 424 x 250 mm
Size (HxWxD) Inches	28.7 x 16.7 x 9.8 inches
Generator Weight	21kg / 46.2lbs

[PEAK Protected]TM

Peak Scientific gas generators define the benchmark in reliability, convenience and performance in laboratories around the world, and come backed with a 12 month warranty. Beyond this period however you can ensure that your investment continues to be **[Protected]** by our comprehensive generator care cover.

Our world-class aftercare support packages deliver a program of scheduled preventative maintenance whilst giving you the reassurance of instant access to worldwide technical support and priority on-site response in the untimely event of a breakdown.

- For ordering parts visit: www.peakscientific.com/ordering/
- For service plans visit: www.peakscientific.com/service/service-plans/

Peak Scientific UK
Tel: +44 (0)141 812 8100
Fax: +44 (0)141 812 8200

Peak Scientific North America
Tel: +1-800-767-6532
Fax: +1-978-608-9503

Peak Scientific China
Tel: +86 21 5079 1190
Fax: +86 21 5079 1191
For a full list of our worldwide office locations, please visit:
Web: www.peakscientific.com
Email: discover@peakscientific.com

Peak Scientific's Quality Management System conforms to: ISO:9001

