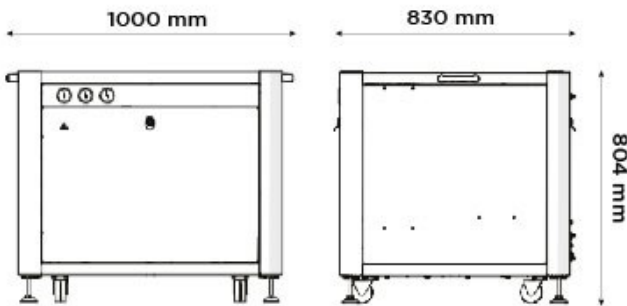


Description

The AB SCIEX table is designed specifically to locate the 4500 & 5500 family of products. The table is available in both standard form and also with an integral gas generator with the capacity to supply all of the instruments in the 4500 & 5500 family.

- **Gas types** Air
- **Integrated compressor:** No



Key Features

- Sound proofed enclosure, significantly reduced noise level
- Mass Spec sits on top of the unit
- Plug & play system
- Easy access for pump service

Technical Specifications

	SCIEX MS Table 2N
Gas Type	Air
Max Gas Flow:	12
Gas Outlets Fitting:	3 x ¼" BSPP
Max Inlet Pressure:	8.3-10 bar (120-145 psi)
Min Air Inlet Flow:	115 L/min (4.06 cfm)
Dew Point:	3°C / 37.4°F
Start Up Time:	30 minutes
Power Consumption:	240
Voltage:	110-240
Frequency:	50/60
Current:	1 Amp
Max Operating Temp:	30°C / 86°F
Particles:	<0.01µm
Accreditations:	CE
Size (HxWxD) mm	804 x 1000 x 830 mm
Size (HxWxD) Inches	31.7 x 39.4 x 32.7 inches
Generator Weight	108kg / 237.6lbs

[PEAK Protected]TM

Peak Scientific gas generators define the benchmark in reliability, convenience and performance in laboratories around the world, and come backed with a 12 month warranty. Beyond this period however you can ensure that your investment continues to be **[Protected]** by our comprehensive generator care cover.

Our world-class aftercare support packages deliver a program of scheduled preventative maintenance whilst giving you the reassurance of instant access to worldwide technical support and priority on-site response in the untimely event of a breakdown.

- For ordering parts visit: www.peakscientific.com/ordering/
- For service plans visit: www.peakscientific.com/service/service-plans/

Peak Scientific UK
Tel: +44 (0)141 812 8100
Fax: +44 (0)141 812 8200

Peak Scientific North America
Tel: +1-800-767-6532
Fax: +1-978-608-9503

Peak Scientific China
Tel: +86 21 5079 1190
Fax: +86 21 5079 1191
For a full list of our worldwide office locations, please visit:
Web: www.peakscientific.com
Email: discover@peakscientific.com

Peak Scientific's Quality Management System conforms to: ISO:9001



0003