

# Genius 1024

Nitrogen generator

Part number: 10-9524



## Description

Designed exclusively to meet the needs of SCIEX LC-MS systems and approved by SCIEX for use with all their RUO (Research Use Only) LC-MS systems, the Genius 1024 provides a compact single source gas solution for Sciex LC-MS instruments..

The Genius 1024 is built around the trusted and proven technology of PEAK Scientific's Genius series of generators. Designed mainly for LC-MS applications, these are self-contained systems featuring integrated compressors, delivering laboratory-grade nitrogen at various pressures and flow rates required by numerous instruments.

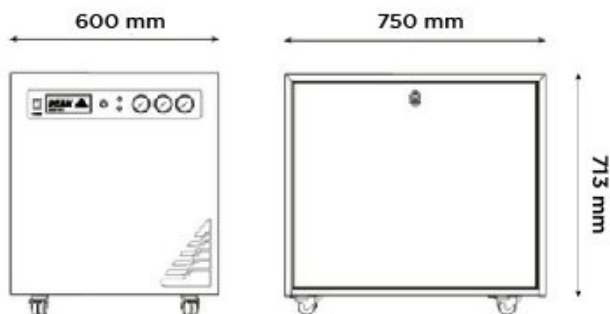


## Application Types

Gas solution for Sciex Mass Spectrometers

## Generator Details

- **Gas types:** Nitrogen, Air
- **Integrated compressor:** Yes



## Key Features

- Supports Sciex MS
- Delivers nitrogen as curtain gas and dry air as source and exhaust gas
- Compact, under bench solution with low lifetime running costs
- Compressor based solution, no need for an external air supply
- High-specification latest generation compressors located in insulated chamber reducing noise and vibration
- Service indication to allow planning of preventative maintenance
- Minimal set-up required
- 12 month comprehensive on-site warranty

## Technical Specifications

### Genius 1024 LC-MS nitrogen generator

Gas Type	Nitrogen
Max Gas Flow:	19*L/min
Max Output Pressure:	65psi/4.5bar
Gas Type	Air
Max Gas Flow:	26*L/min
Max Output Pressure:	100psi/6.9bar
Gas Type	Air
Max Gas Flow:	25*L/min
Max Output Pressure:	60psi/4.1bar
Max Output Pressure:	65psi/4.5bar
Gas Outlets Fitting:	3 x 1/4" BSPP
Start Up Time:	60 mins
Power Consumption:	1610 VA
Voltage:	230 ± 10% V
Frequency:	50 / 60 Hz
Current:	7 A
Heat output:	5,490 BTU/hr
Max Operating Temp:	30°C / 86°F
Particles:	<0.01µm
Accreditations:	CE, CSA
Size (HxWxD) mm	709 x 600 x 750 mm
Size (HxWxD) Inches	27.9 x 23.6 x 29.5 inches
Generator Weight	108.5kg / 238.7lbs

\*Please note, these performance characteristics are valid only when paired with an approved Sciex application. Please refer to current application matrix for a list of supported products.

## [PEAK Protected]™

Peak Scientific gas generators define the benchmark in reliability, convenience and performance in laboratories around the world, and come backed with a 12 month warranty. Beyond this period however you can ensure that your investment continues to be **[Protected]** by our comprehensive generator care cover.

Our world-class aftercare support packages deliver a program of scheduled preventative maintenance whilst giving you the reassurance of instant access to worldwide technical support and priority on-site response in the untimely event of a breakdown.

- For ordering parts visit: [www.peakscientific.com/ordering/](http://www.peakscientific.com/ordering/)
- For service plans visit: [www.peakscientific.com/service/service-plans/](http://www.peakscientific.com/service/service-plans/)

**Peak Scientific UK**  
Tel: +44 (0)141 812 8100  
Fax: +44 (0)141 812 8200

**Peak Scientific North America**  
Tel: +1-800-767-6532  
Fax: +1-978-608-9503

**Peak Scientific China**  
Tel: +86 21 5079 1190  
Fax: +86 21 5079 1191  
For a full list of our worldwide office locations, please visit:  
Web: [www.peakscientific.com](http://www.peakscientific.com)  
Email: [discover@peakscientific.com](mailto:discover@peakscientific.com)

Peak Scientific's Quality Management System conforms to: ISO:9001

