

Genius 1022 Nitrogen Generator

Application: Genius

Part number: 10-6022

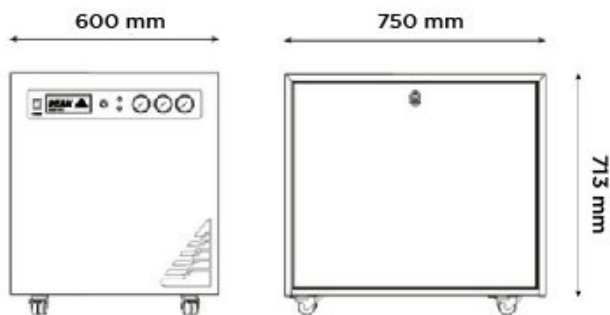


Description

Designed for Thermo Fisher Scientific LC-MS/MS applications, Genius 1022 provides a compact single source gas solution for the Q-Exactive series of LC-MS/MS instruments, delivering 32 Litres per minute of laboratory-grade nitrogen at 116psi. Genius 1022 is built around the trusted and proven technology of Peak Scientific's Genius series of generators.

Designed mainly for LC-MS/MS applications, these are self-contained systems featuring integrated compressors, delivering laboratory-grade nitrogen at various pressures and flow rates required by numerous instruments.

- **Gas types:** Nitrogen
- **Integrated compressor:** Yes
- **Application Types:** Q Exactive LC-MS/MS



Key Features

- Delivers up to 32L/min of nitrogen at 116psi
- Compressor based solution, no need for an external air supply
- Minimal set-up required. Highly economical source of nitrogen gas with low lifetime running costs
- High-specification latest generation compressors located in insulated chamber, reducing noise and vibration
- Service indication to allow planning of preventative maintenance
- Gas is supplied on demand so generator works to your schedule
- 12 month comprehensive on-site warranty

Technical Specifications

| Genius 1022 Nitrogen Generator | |
|--------------------------------|---------------------------|
| Gas Type | Nitrogen |
| Max Gas Flow: | 32L/min |
| Max Output Pressure: | 116psi/8bar |
| Max Output Pressure: | 116psi/8bar |
| Gas Outlets Fitting: | 1x 1/4" BSPP |
| Start Up Time: | 30 mins |
| Power Consumption: | Up to 1680 VA |
| Voltage: | 230 ± 10% V |
| Frequency: | 50 / 60 Hz |
| Current: | 7 A |
| Heat output: | 5729 BTU |
| Max Operating Temp: | 35°C / 95°F |
| Particles: | <0.01µm |
| Accreditations: | CSA, FCC, CE |
| Size (HxWxD) mm | 713 x 600 x 750 mm |
| Size (HxWxD) Inches | 28.1 x 23.6 x 29.5 inches |
| Generator Weight | 95kg / 209lbs |

[PEAK Protected]TM

Peak Scientific gas generators define the benchmark in reliability, convenience and performance in laboratories around the world, and come backed with a 12 month warranty. Beyond this period however you can ensure that your investment continues to be **[Protected]** by our comprehensive generator care cover.

Our world-class aftercare support packages deliver a program of scheduled preventative maintenance whilst giving you the reassurance of instant access to worldwide technical support and priority on-site response in the untimely event of a breakdown.

- For ordering parts visit: www.peakscientific.com/ordering/
- For service plans visit: www.peakscientific.com/service/service-plans/

Peak Scientific UK
Tel: +44 (0)141 812 8100
Fax: +44 (0)141 812 8200

Peak Scientific North America
Tel: +1-800-767-6532
Fax: +1-978-608-9503

Peak Scientific China
Tel: +86 21 5079 1190
Fax: +86 21 5079 1191
For a full list of our worldwide office locations, please visit:
Web: www.peakscientific.com
Email: discover@peakscientific.com

Peak Scientific's Quality Management System conforms to: ISO:9001

