

# Infinity NM32L

Nitrogen Generator

Part number: 10-2250



## Description

The Infinity NM32L nitrogen generator employs membrane technology to provide analytical grade nitrogen for LC-MS and a range of other laboratory applications in conjunction with an in-house compressed air supply. With few moving parts, this generator has a long life and, if required, can operate effortlessly 24 hours a day.



## Application Types

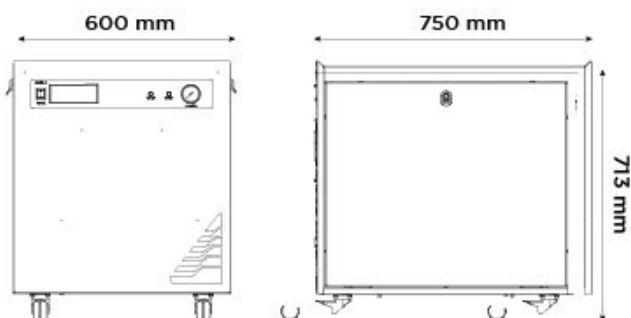
Various laboratory applications including LC-MS/MS

## Generator Details

- **Gas types:** Nitrogen
- **Integrated compressor:** No

## Key Features

- Delivers nitrogen at up to 32L/min
- This generator is capable of supplying majority of LC-MS instruments
- 24/7 operation at optimum performance
- Highly economical source of nitrogen with low lifetime running costs
- Few moving parts means little maintenance and ensures long life of the generator
- Gas is supplied on demand so generator works to your schedule
- Minimal set-up required
- Completely silent in operation
- 12 month comprehensive on-site warranty



## Technical Specifications

### Infinity NM32L Nitrogen Generator

Gas Type	Nitrogen
Max Gas Flow:	32L/min
Max Output Pressure:	100psi/6.9bar
Max Output Pressure:	100psi/6.9bar
Min Inlet Pressure:	100psi/6.9bar
Max Inlet Pressure:	100psi/6.9bar
Min Inlet Air Quality:	ISO8573 - 1:2010 Class 1.4.1
Dew Point:	40°C / 104°F
Start Up Time:	60 mins
Voltage:	N/A
Frequency:	N/A
Current:	N/A
Max Operating Temp:	30°C / 86°F
Particles:	<0.01µm
Accreditations:	CE, CSA
Size (HxWxD) mm	713 x 600 x 750 mm
Size (HxWxD) Inches	28.1 x 23.6 x 29.5 inches
Generator Weight	18kg / 39.6lbs

# [PEAK Protected]<sup>TM</sup>

Peak Scientific gas generators define the benchmark in reliability, convenience and performance in laboratories around the world, and come backed with a 12 month warranty. Beyond this period however you can ensure that your investment continues to be **[Protected]** by our comprehensive generator care cover.

Our world-class aftercare support packages deliver a program of scheduled preventative maintenance whilst giving you the reassurance of instant access to worldwide technical support and priority on-site response in the untimely event of a breakdown.

- For ordering parts visit: [www.peakscientific.com/ordering/](http://www.peakscientific.com/ordering/)
- For service plans visit: [www.peakscientific.com/service/service-plans/](http://www.peakscientific.com/service/service-plans/)

**Peak Scientific UK**  
Tel: +44 (0)141 812 8100  
Fax: +44 (0)141 812 8200

**Peak Scientific North America**  
Tel: +1-800-767-6532  
Fax: +1-978-608-9503

**Peak Scientific China**  
Tel: +86 21 5079 1190  
Fax: +86 21 5079 1191  
For a full list of our worldwide office locations, please visit:  
Web: [www.peakscientific.com](http://www.peakscientific.com)  
Email: [discover@peakscientific.com](mailto:discover@peakscientific.com)

Peak Scientific's Quality Management System conforms to: ISO:9001

