

Genius XE 70 Laboratory gas generator

Application: Genius

Part number: 3300253

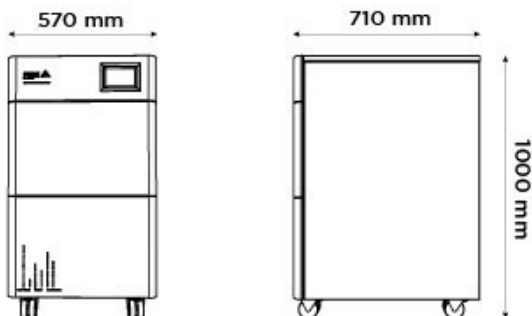


Description

Inspired by the success of our best-selling Genius line of nitrogen gas generators for LC-MS/MS, Genius XE Nitrogen is a cutting-edge evolution combining advanced technology with refined and robust engineering. With two models - XE 35 (up to 35 L/min) and XE 70 (up to 70 L/min) - Genius XE Nitrogen provides a premium, standalone nitrogen solution for high performance LC-MS/MS and other mission-critical laboratory applications where performance and reliability are paramount.

Featuring Multi-Stage Purification™ and next-generation integrated compressors with Electronic Compressor Optimization™ (ECO) technology, Genius XE delivers factory certifiable purity up to 99.5% on-demand, 24/7 with a convenient fixed annual service interval.

- **Gas types** Nitrogen
- **Integrated compressor:** Yes
- **Application Types:** LC-MS/MS



Key Features

- Variable flow up to 70 L/min & pressure up to 116 psi
- Multi-Stage Purification™ producing analytical grade nitrogen gas up to 99.5% purity
- 2 year comprehensive manufacturer's warranty*
- Touch-screen full colour user interface for ease of operation
- ECO (Electronic Compressor Optimisation™) technology for low energy consumption and compressor durability
- Next-generation high performance premium compressors, engineered exclusively for Genius XE
- Smaller & quieter than previous generation of Genius
- On-board service scheduling and system diagnostics
- Additional compressor capacity for lower flow applications

*2nd year of 2 year warranty subject to completion of preventative maintenance, carried out within 13 months of installation. For full terms and conditions visit:

www.peakscientific.com/warranty-statement

Technical Specifications

Genius XE 70 Laboratory gas generator	
Gas Type	Nitrogen
Max Gas Flow:	70L/min
Max Output Pressure:	116psi/8bar
Hydrocarbon Content:	<0.1ppm
Max Output Pressure:	116psi/8bar
Max Purity:	99.5%
Gas Outlets Fitting:	1 x 1/4" BSPP
Start Up Time:	30 mins
Power Consumption:	2530 VA
Voltage:	230 VAC
Frequency:	50/60 Hz
Current:	12A
Heat output:	8785
Max Operating Temp:	35°C / 95°F
Particles:	<0.01µm
Phthalates:	Phthalate & BHT Free
Noise Level:	59.3 dBA
Accreditations:	CE, CSA, FCC, KC
Size (HxWxD) mm	1000 x 570 x 710 mm
Size (HxWxD) Inches	39.4 x 22.4 x 28 inches
Generator Weight	147kg / 323.4lbs

[PEAK Protected]TM

Peak Scientific gas generators define the benchmark in reliability, convenience and performance in laboratories around the world, and come backed with a 12 month warranty. Beyond this period however you can ensure that your investment continues to be **[Protected]** by our comprehensive generator care cover.

Our world-class aftercare support packages deliver a program of scheduled preventative maintenance whilst giving you the reassurance of instant access to worldwide technical support and priority on-site response in the untimely event of a breakdown.

- For ordering parts visit: www.peakscientific.com/ordering/
- For service plans visit: www.peakscientific.com/service/service-plans/

Peak Scientific UK
Tel: +44 (0)141 812 8100
Fax: +44 (0)141 812 8200

Peak Scientific North America
Tel: +1-800-767-6532
Fax: +1-978-608-9503

Peak Scientific China
Tel: +86 21 5079 1190
Fax: +86 21 5079 1191
For a full list of our worldwide office locations, please visit:
Web: www.peakscientific.com
Email: discover@peakscientific.com

Peak Scientific's Quality Management System conforms to: ISO:9001

