

# Genius XE SMZ Nitrogen Gas Generator

Application: Shimadzu LCMS-8060NX  
Shimadzu LCMS-9030 Shimadzu LCMS-8045  
in standard or high gas delivery mode  
Shimadzu LCMS-8050 in standard or high gas  
delivery mode Shimadzu LCMS-8060 in  
standard or high gas delivery mode

Part number: 3303886



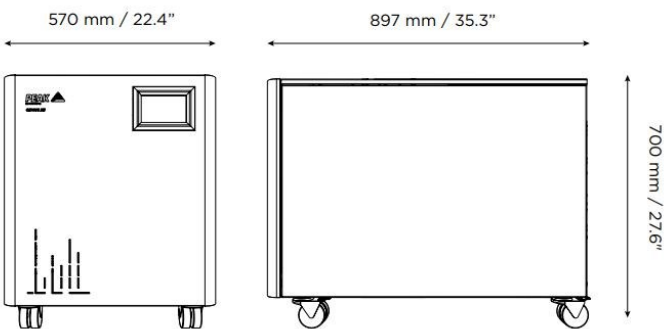
## Description

Approved and validated by Shimadzu as the gas solution for the latest high performance Shimadzu LC-MS instruments, Genius XE SMZ combines advanced technology with refined and robust engineering to provide a premium standalone on-demand nitrogen and air gas generator. Built upon the best-in-class Genius XE nitrogen generator series, Genius XE SMZ provides labs a dependable, high purity gas supply where performance and reliability are paramount.

With dual outlets (1 x nitrogen, 1 x air), Genius XE SMZ has been precision engineered to provide LC-MS grade nitrogen on-demand from a small and quiet gas generator. Featuring Multi-Stage Purification™ and next-generation integrated compressors with Electronic Compressor Optimization™ (ECO) technology, Genius XE SMZ can comfortably support the latest Shimadzu LC-MS instruments including the LCMS-8060NX.

- **Gas types** Nitrogen
- **Integrated compressor:** Yes
- **Application Types:**

- Shimadzu LCMS-8060NX
- Shimadzu LCMS-9030
- Shimadzu LCMS-8045 in standard or high gas delivery mode
- Shimadzu LCMS-8050 in standard or high gas delivery mode
- Shimadzu LCMS-8060 in standard or high gas delivery mode



## Key Features

- Validated and approved by Shimadzu to meet the demands of the latest Shimadzu LC-MS instruments
- Multi-Stage Purification™ to efficiently remove moisture and contaminants, providing a consistent quality of gas
- Low impact on lab environment with low noise and heat emissions
- Next-generation high performance premium compressors, engineered exclusively for Genius XE
- Touch-screen full color user interface for ease of use and operation
- ECO (Electronic Compressor Optimisation™) technology for low energy consumption and compressor durability
- Fixed annual maintenance schedule
- 2 year comprehensive manufacturer's warranty\*

\*Year 2 of warranty subject to generator being serviced at end of year 1 by a PEAK-approved agent in accordance with fixed annual maintenance schedule. For full terms and conditions visit [www.peakscientific.com/warranty-statement](http://www.peakscientific.com/warranty-statement)

## Technical Specifications

Genius XE SMZ Nitrogen Gas Generator	
Gas Type	Nitrogen
Max Gas Flow:	27L/min
Max Output Pressure:	100psi/6.9bar
Gas Type	Air
Max Gas Flow:	29L/min
Max Output Pressure:	99psi/6.8bar
Max Output Pressure:	100psi/6.9bar
Gas Outlets Fitting:	2 x ¼" BSP
Start Up Time:	30 min
Power Consumption:	1.64 kVA
Voltage:	220 - 240v ±10%
Frequency:	50/60 Hz
Current:	9 Amps
Heat output:	<5545 BTU
Max Operating Temp:	30°C / 86°F
Particles:	<0.01µm
Noise Level:	57dB(A) @ 1m
Accreditations:	CE, FCC
Size (HxWxD) mm	700 x 570 x 897 mm
Size (HxWxD) Inches	27.6 x 22.4 x 35.3 inches
Generator Weight	129kg / 283.8lbs

# [PEAK Protected]<sup>TM</sup>

Peak Scientific gas generators define the benchmark in reliability, convenience and performance in laboratories around the world, and come backed with a 12 month warranty. Beyond this period however you can ensure that your investment continues to be **[Protected]** by our comprehensive generator care cover.

Our world-class aftercare support packages deliver a program of scheduled preventative maintenance whilst giving you the reassurance of instant access to worldwide technical support and priority on-site response in the untimely event of a breakdown.

- For ordering parts visit: [www.peakscientific.com/ordering/](http://www.peakscientific.com/ordering/)
- For service plans visit: [www.peakscientific.com/service/service-plans/](http://www.peakscientific.com/service/service-plans/)

**Peak Scientific UK**  
Tel: +44 (0)141 812 8100  
Fax: +44 (0)141 812 8200

**Peak Scientific North America**  
Tel: +1-800-767-6532  
Fax: +1-978-608-9503

**Peak Scientific China**  
Tel: +86 21 5079 1190  
Fax: +86 21 5079 1191  
For a full list of our worldwide office locations, please visit:  
Web: [www.peakscientific.com](http://www.peakscientific.com)  
Email: [discover@peakscientific.com](mailto:discover@peakscientific.com)

Peak Scientific's Quality Management System conforms to: ISO:9001



0003