

Genius 1023

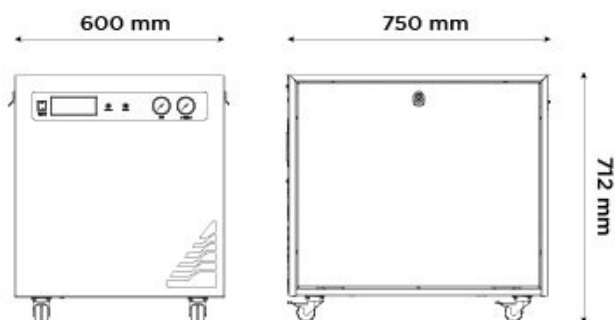
Nitrogen Generator for Chip Cube

Part number: 10-9040



Description

With an optional output of laboratory-grade nitrogen or an oxygen/nitrogen mix, the Genius 1023 is a flexible generator designed to meet the requirements of the Agilent Chip Cube system.



Generator Details

- **Gas types:** Nitrogen
- **Integrated compressor:** Yes

Key Features

- Delivers either LC-MS grade nitrogen or 10% oxygen-rich nitrogen for Agilent Chip Cube
- Compressor based solution, no need for an external air supply
- Minimal set-up required
- Highly economical source of nitrogen gas with low lifetime running costs
- The latest generation of compressors located in an insulated chamber reducing noise and vibration
- Service indication to allow planning of preventative maintenance
- Gas is supplied on demand so generator works to your schedule
- Wheels make it easy to manoeuvre generator around the lab
- 12 month comprehensive on-site warranty

Technical Specifications

Genius 1023 Nitrogen Generator for Chip Cube

Gas Type	Nitrogen
Max Gas Flow:	32L/min
Max Output Pressure:	100psi/6.9bar
Max Output Pressure:	100psi/6.9bar
Gas Outlets Fitting:	1x 1/4" BSPP
Start Up Time:	30 mins
Power Consumption:	Up to 1610 VA
Voltage:	230 ± 10% V
Frequency:	50 / 60 Hz
Current:	7 A
Heat output:	Up to 5729 BTU
Max Operating Temp:	30°C / 86°F
Particles:	<0.1µm
Accreditations:	CE, FCC
Size (HxWxD) mm	713 x 600 x 750 mm
Size (HxWxD) Inches	28.1 x 23.6 x 29.5 inches
Generator Weight	106kg / 233.2lbs

[PEAK Protected]TM

Peak Scientific gas generators define the benchmark in reliability, convenience and performance in laboratories around the world, and come backed with a 12 month warranty. Beyond this period however you can ensure that your investment continues to be **[Protected]** by our comprehensive generator care cover.

Our world-class aftercare support packages deliver a program of scheduled preventative maintenance whilst giving you the reassurance of instant access to worldwide technical support and priority on-site response in the untimely event of a breakdown.

- For ordering parts visit: www.peakscientific.com/ordering/
- For service plans visit: www.peakscientific.com/service/service-plans/

Peak Scientific UK
Tel: +44 (0)141 812 8100
Fax: +44 (0)141 812 8200

Peak Scientific North America
Tel: +1-800-767-6532
Fax: +1-978-608-9503

Peak Scientific China
Tel: +86 21 5079 1190
Fax: +86 21 5079 1191
For a full list of our worldwide office locations, please visit:
Web: www.peakscientific.com
Email: discover@peakscientific.com

Peak Scientific's Quality Management System conforms to: ISO:9001

